


**R206AM**

**ACCESSORIES**

### Description

**R206AM** is a pressure independent control valve (PICV) that combines an automatic flow rate regulator and a control valve with actuator.

The valve can adjust flow rate and keep it constant in the presence of changing differential pressure conditions of the circuit in which it is installed. Flow rate is adjusted in two different ways:


- **manually** on the automatic flow rate regulator, to restrict the maximum value
- **automatically** by the control valve in combination with a proportional (0÷10 V) or ON/OFF actuator, in accordance with the thermal load requirements of the section of the circuit to be controlled.

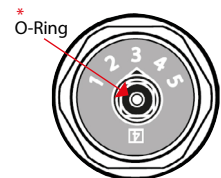
The set flow rate is guaranteed inside the declared range of differential pressure, with a maximum error of  $\pm 10\%$  on controlled flow rate value or  $\pm 5\%$  on the maximum flow rate. R206AM valves feature pressure plugs connections for flow measurements and verifications.

(Please refer to the following page for the complete regulation tables of different valve types).






### Versions and codes

Product code	Connections	O-Ring colour *	Working flow rate [l/h]	Differential pressure range $\Delta p$ [kPa]	Actuator (optional)
R206AY053	1/2" F	Grey	37 - 575	16 - 200	K281X012 K281X022 K281EX001 K281EX002
R206AY054	3/4" F	Black	64 - 1110	30 - 400	
R206AY055	1" F	Black	64 - 1110	30 - 400	
R206AY065	1" F	Black	865 - 4630	16 - 400	K281X032
R206AY056	1 1/4" F	Black	865 - 4630	16 - 400	K281X042
R206AY057	1 1/2" F	Black	1900 - 13647	16 - 400	
R206AY058	2" F	Black	1900 - 13647	16 - 400	

 **Warning**  
Respect the correspondence between actuators and valves: breaking danger!



### Accessories

Product code	Corresponding valve	Description and technical features
	K281EX001	R206AY053, R206AY054, R206AY055 Thermo-electric actuator normally closed, ON/OFF type. Power supply 230 Vac, 50/60 Hz. Power consumption 1,2 W. Working temperature range: 0÷60 °C. Opening time 4,5 min. Protection class IP54. Cable length 1 m. Valve connection M30 x 1,5 mm.
	K281EX002	R206AY053, R206AY054, R206AY055 Thermo-electric actuator normally closed, ON/OFF type. Power supply 24 Vac, 50/60 Hz. Power consumption 1,2 W. Working temperature range: 0÷60 °C. Opening time 4,5 min. Protection class IP54. Cable length 1 m. Valve connection M30 x 1,5 mm.
	K281X012	R206AY053, R206AY054, R206AY055 Actuator 0÷10 V. Power supply 24 Vac, 50/60 Hz. Power consumption 2,5 VA. Working temperature range: 0÷50 °C. Opening time at max speed 50 sec. Protection class IP43. Cable length 1,5 m. Valve connection M30 x 1,5 mm.
	K281X022	R206AY053, R206AY054, R206AY055 Actuator ON/OFF. Power supply 24 V, 50/60 Hz. Power consumption 5 VA. Working temperature range: 0÷50 °C. Opening time at max speed 85 sec. Protection class IP40. Cable length 1,5 m. Valve connection M30 x 1,5 mm.
	K281X032	R206AY056, R206AY065 Actuator 0÷10 V. Power supply 24 Vac/dc, 50/60 Hz. Power consumption 5 VA. Working temperature range: 2÷50 °C. Opening time 18,5 sec/mm @ 50 Hz. Protection class IP54. Cable length 1 m. Valve connection M30 x 1,5 mm. UL approved.
	K281X042	R206AY057, R206AY058. Actuator 0÷10 V. Power supply 24 Vac/dc, 50/60 Hz. Power consumption 7 VA. Working temperature range: 2÷50 °C. Opening time 28 sec/mm @ 50 Hz. Protection class IP54. Cable length 1 m. Valve connection M30 x 1,5 mm. UL approved.
	P206Y001	All Probe holder (no.2) kit for temperature/pressure measurement.
	R225EY001	All Differential pressure gauge.
	P206AMY001	R206AY053 Spare part cartridge for R206AY053
	P206AMY002	R206AY054, R206AY055 Spare part cartridge for R206AY054, R206AY055
	P206AMY003	R206AY065, R206AY056 Spare part cartridge for R206AY065, R206AY056

**Technical data**

- Compatible fluids: water and glycol solutions (max. 50 % of glycol)
- Maximum working temperature: 120 °C
- Ambient temperature: 1 ÷ 50 °C
- Maximum working pressure: 25 bar
- Maximum differential pressure range: 4 bar (2 bar for R206AY053)
- Maximum close-off differential pressure with actuator: 6 bar
- Connections: female, ISO 228
- Actuator connections: M30 x 1,5 mm
- Leakage rating: Class 4 (IEC60534-4)
- Maximum seat leakage:
  - R206AY053: 0,35 l/h
  - R206AY054, R206AY055: 0,50 l/h
  - R206AY056, R206AY065: 2,32 l/h
  - R206AY057, R206AY058: 8,36 l/h

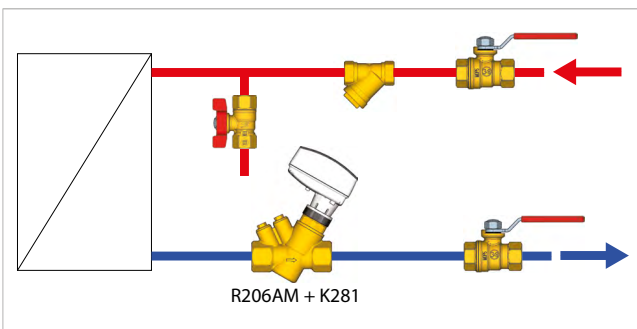
**Material**

- Body: brass CW617N - UNI EN 12165
- Cartridge:
  - Insert: glass reinforced PSU/POM/PPS
  - Diaphragm: EPDM
  - Internal metal components: stainless steel
  - O-Rings: EPDM
  - Shutter: PPS

**Installation**

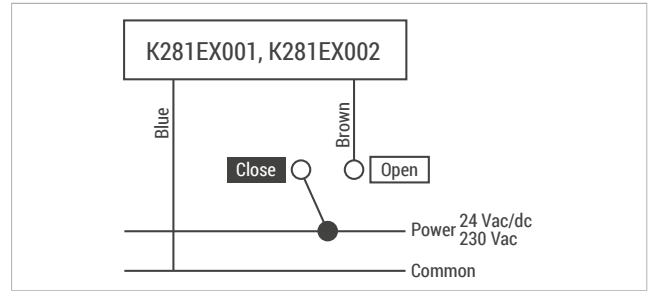
The R206AM pressure independent control valve should be installed on the return side of the system. It is recommended to install a filter upstream the R206AM valve to prevent damage or blockage due to debris. Furthermore, it is recommended not to exceed the maximum differential pressure control range of the cartridge.

**NB.**  
Failure to abide by all recommendations as per this installation and operation instruction will void warranty.

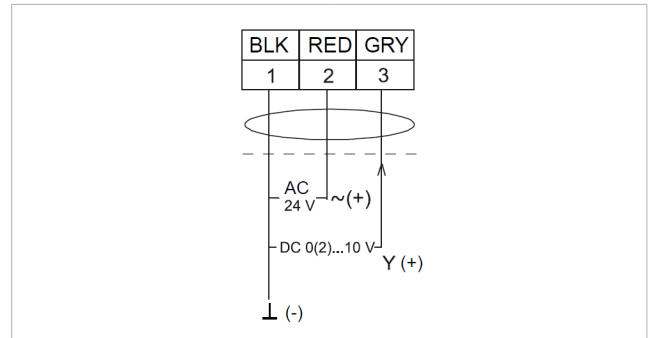


**Actuators electrical connections**

**K281EX001, K281EX002**

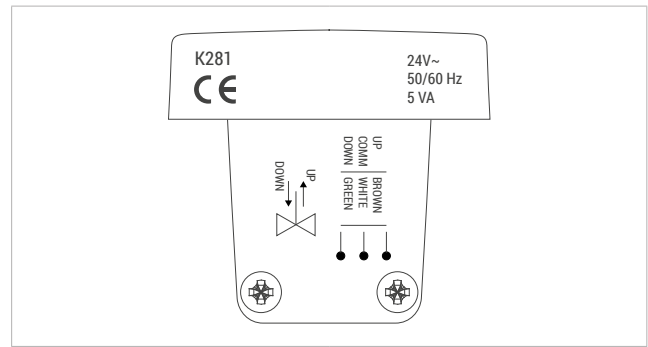


**K281X012**



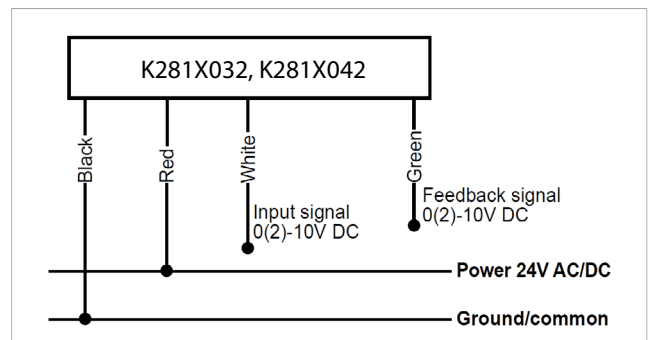
Colore del conduttore	Funzione
Nero (BLK)	Alimentazione 24 Vac
Rosso (RED)	
Grigio (GRY)	Contatto di salita/discesa 0-10 Vdc

**K281X022**

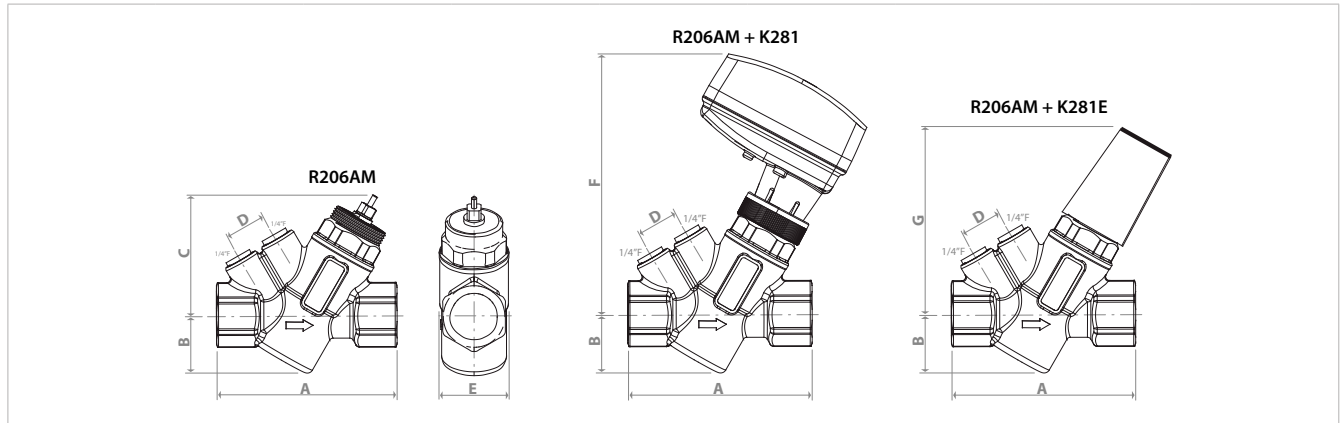


Colore del conduttore	Funzione
Marrone (BROWN)	Contatto salita "UP" dello stelo. (CHIUSURA in corso della via diretta con valvola miscelatrice)
Bianco (WHITE)	Contatto COMUNE
Verde (GREEN)	Contatto discesa "DOWN" dello stelo (APERTURA in corso della via diretta con valvola miscelatrice)

**K281X032, K281X042**



**Dimensions**

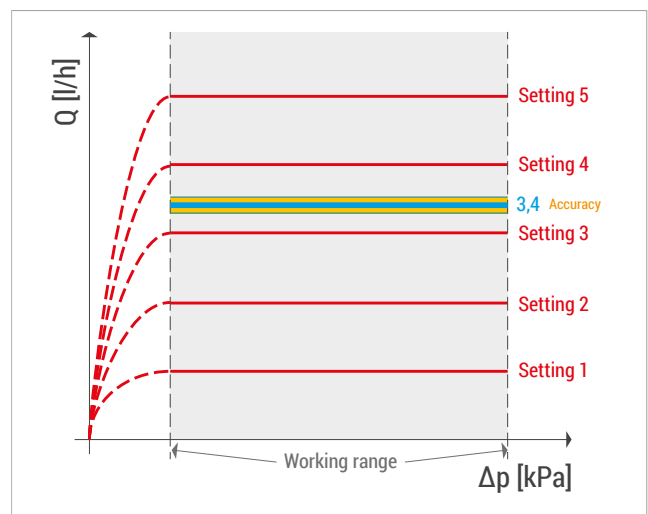
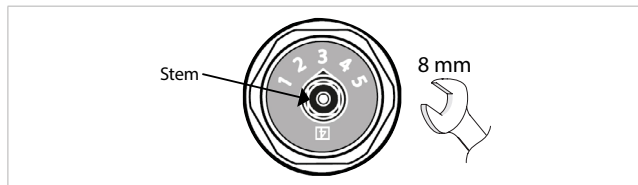


Product code	Connections	A [mm]	B [mm]	C [mm]	D [mm]	E [mm]	F [mm]	G [mm]
R206AY053	1/2" F	82	31	64	22	36	135	116
R206AY054	3/4" F	94	31	64	22	36	135	116
R206AY055	1" F	102	31	64	22	36	135	116
R206AY065	1" F	128	47	85	22	65	178	-
R206AY056	1 1/4" F	128	47	85	22	65	178	-
R206AY057	1 1/2" F	191	105	115	22	100	192	-
R206AY058	2" F	191	105	115	22	100	192	-

**Setting adjustment**

To set the valve according to the desired flow rate, using a 8 mm wrench, rotate the stem valve clockwise to decrease the setting; counterclockwise to increase the setting.

*I.e.: in figure is indicated a setting of 3,4.*



**Flow rate diagrams**

Accuracy: highest between ± 10 % in case of controlled flow rate or ± 5 % in case of maximum flow rate

Setting	R206AY053 Δp: 16-200 kPa		R206AY054 Δp: 30-400 kPa		R206AY055 Δp: 30-400 kPa		R206AY056, R206AY065 Δp: 16-400 kPa		R206AY057 Δp: 16-400 kPa		R206AY058 Δp: 16-400 kPa	
	l/h	GPM	l/h	GPM	l/h	GPM	l/h	GPM	l/h	GPM	l/h	GPM
1.0	-	-	64	0,282	64	0,282	865	3,81	1900	8,4	1900	8,4
1.1	37	0,163	142	0,624	142	0,624	1010	4,46	2278	10,0	2278	10,0
1.2	84	0,37	209	0,92	209	0,92	1160	5,10	2655	11,7	2655	11,7
1.3	116	0,51	268	1,18	268	1,18	1300	5,72	3033	13,3	3033	13,3
1.4	151	0,664	319	1,41	319	1,41	1430	6,32	3410	15,0	3410	15,0
1.5	180	0,792	366	1,61	366	1,61	1570	6,90	3787	16,7	3787	16,7
1.6	205	0,902	408	1,8	408	1,8	1700	7,47	4163	18,3	4163	18,3
1.7	234	1,03	446	1,96	446	1,96	1820	8,02	4537	20,0	4537	20,0
1.8	259	1,14	482	2,12	482	2,12	1940	8,56	4909	21,6	4909	21,6
1.9	281	1,24	516	2,27	516	2,27	2060	9,08	5279	23,2	5279	23,2
2.0	302	1,33	549	2,42	549	2,42	2180	9,59	5646	24,8	5646	24,8
2.1	320	1,41	580	2,56	580	2,56	2290	10,1	6011	26,4	6011	26,4
2.2	339	1,49	611	2,69	611	2,69	2400	10,6	6372	28,0	6372	28,0
2.3	353	1,55	641	2,82	641	2,82	2510	11,0	6730	29,6	6730	29,6
2.4	371	1,63	671	2,95	671	2,95	2610	11,5	7083	31,2	7083	31,2
2.5	381	1,68	700	3,08	700	3,08	2710	11,9	7432	32,7	7432	32,7
2.6	394	1,73	728	3,21	728	3,21	2810	12,4	7776	34,2	7776	34,2
2.7	406	1,79	756	3,33	756	3,33	2900	12,8	8115	35,7	8115	35,7
2.8	414	1,82	783	3,45	783	3,45	3000	13,2	8449	37,2	8449	37,2
2.9	428	1,88	810	3,56	810	3,56	3090	13,6	8777	38,6	8777	38,6
3.0	439	1,93	835	3,68	835	3,68	3180	14,0	9098	40,0	9098	40,0
3.1	449	1,98	860	3,79	860	3,79	3260	14,4	4913	21,6	4913	21,6
3.2	458	2,02	883	3,89	883	3,89	3350	14,7	9721	42,8	9721	42,8
3.3	468	2,06	906	3,99	906	3,99	3430	15,1	10021	44,1	10021	44,1
3.4	477	2,1	927	4,08	927	4,08	3510	15,5	10314	45,4	10314	45,4
3.5	486	2,14	946	4,17	946	4,17	3590	15,8	10599	46,6	10599	46,6
3.6	494	2,17	965	4,25	965	4,25	3670	16,1	10875	47,9	10875	47,9
3.7	503	2,21	982	4,32	982	4,32	3740	16,5	11142	49,0	11142	49,0
3.8	511	2,25	998	4,39	998	4,39	3820	16,8	11400	50,2	11400	50,2
3.9	518	2,28	1010	4,46	1010	4,46	3890	17,1	11649	51,3	11649	51,3
4.0	526	2,31	1020	4,51	1020	4,51	3960	17,4	11888	52,3	11888	52,3
4.1	532	2,34	1040	4,57	1040	4,57	4030	17,7	12116	53,3	12116	53,3
4.2	538	2,37	1050	4,61	1050	4,61	4100	18,1	12334	54,3	12334	54,3
4.3	544	2,39	1060	4,66	1060	4,66	4170	18,4	12540	55,2	12540	55,2
4.4	549	2,42	1070	4,7	1070	4,7	4240	18,7	12735	56,0	12735	56,0
4.5	553	2,43	1080	4,73	1080	4,73	4300	19,0	12919	56,8	12919	56,8
4.6	559	2,46	1080	4,77	1080	4,77	4370	19,2	13090	57,6	13090	57,6
4.7	563	2,48	1090	4,8	1090	4,8	4440	19,5	13249	58,3	13249	58,3
4.8	567	2,5	1100	4,83	1100	4,83	4500	19,8	13395	58,9	13395	58,9
4.9	571	2,51	1100	4,86	1100	4,86	4570	20,1	13527	59,5	13527	59,5
5.0	575	2,53	1110	4,89	1110	4,89	4630	20,4	13647	60,0	13647	60,0

**Additional information**

For more information, go to [www.giacomini.com](http://www.giacomini.com) or contact our technical assistance service: ☎ +39 0322 923372 📠 +39 0322 923255 ✉ [consulenza.prodotti@giacomini.com](mailto:consulenza.prodotti@giacomini.com)  
 This document provides only general indications. Giacomini S.p.A. may change at any time, without notice and for technical or commercial reasons, the items included herewith.  
 The information included in this technical sheet do not exempt the user from strictly complying with the rules and good practice standards in force.  
 Giacomini S.p.A. Via per Alzo, 39 - 28017 San Maurizio d'Opaglio (NO) Italy